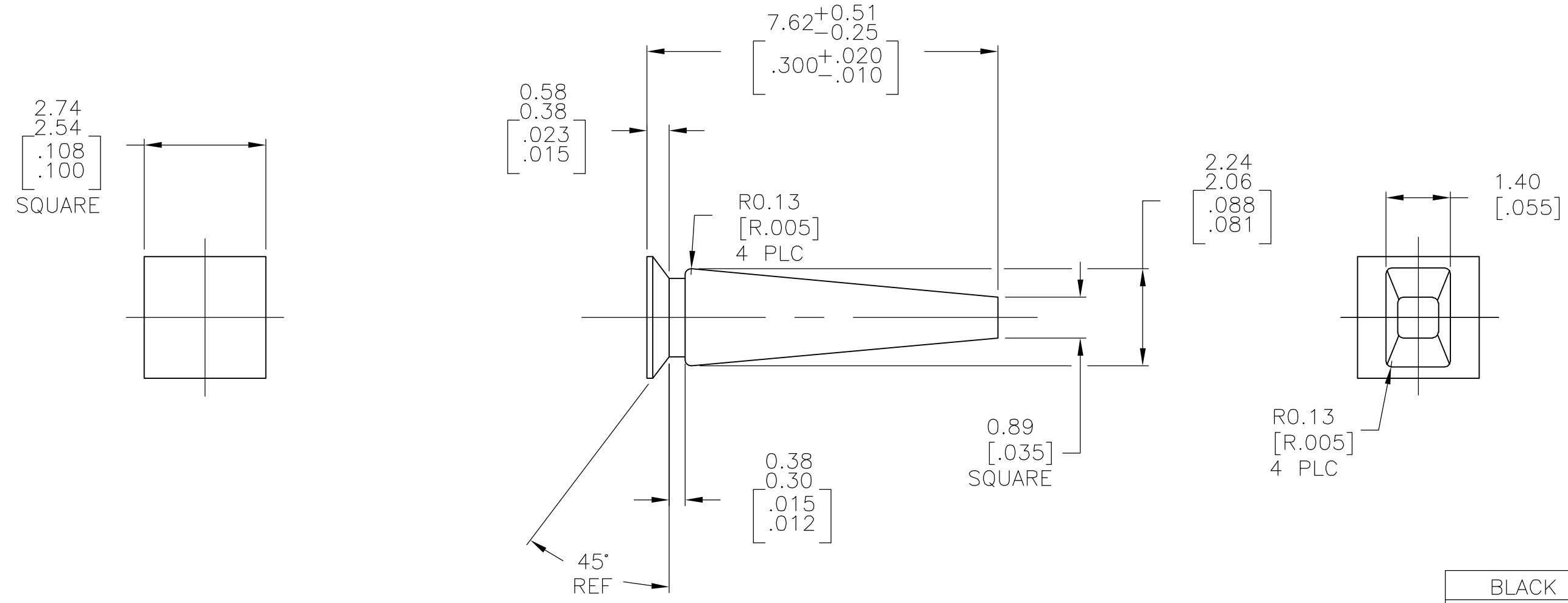


THIS DRAWING IS UNPUBLISHED. RELEASED FOR PUBLICATION  
 © COPYRIGHT - BY TYCO ELECTRONICS CORPORATION. ALL RIGHTS RESERVED.

| LOC | DIST | REVISIONS |     |               |         |     |      |
|-----|------|-----------|-----|---------------|---------|-----|------|
|     |      | P         | LTR | DESCRIPTION   | DATE    | DWN | APVD |
| CM  | 54   |           | F1  | ECO-06-017889 | 07AUG06 | BSV | DB   |

1 MOLDING COMPOUND NYLON,6/6 .  
 2. DIMENSIONS IN BRACKETS ARE IN INCHES.



|         |          |
|---------|----------|
| BLACK   | 640254-2 |
| NATURAL | 640254-1 |
| COLOR   | PART NO. |

**METRIC**

|  |  |                  |         |                                   |   |              |           |               |   |
|--|--|------------------|---------|-----------------------------------|---|--------------|-----------|---------------|---|
| THIS DRAWING IS A CONTROLLED DOCUMENT. |  | DWN              | 10DEC91 | <b>tyco</b><br><b>Electronics</b> | Tyco Electronics Corporation<br>Harrisburg, Pa 17105-3608 |              |           |               |   |
| DIMENSIONS:<br>mm [INCHES]             |  | CHK              | 10DEC91 |                                   | NAME  |              |           |               |   |
| TOLERANCES UNLESS OTHERWISE SPECIFIED: |  | R                | 11DEC91 |                                   | SL-156 KEYING PLUG,<br>.045 SQ. POST CONNECTOR            |              |           |               |   |
| 0 PLC ± -                              |  | APVD             | -       | PRODUCT SPEC                      | -   |              |           | RESTRICTED TO |   |
| 1 PLC ± -                              |  | APPLICATION SPEC |         | -                                 |   | SIZE         | CAGE CODE | DRAWING NO    | - |
| 2 PLC ± -                              |  | MATERIAL         |         | -                                 |   | A3           | 00779     | C-640254      |   |
| 3 PLC ± 0.13 [.005]                    |  | FINISH           |         | -                                 |   | SCALE 10:1   |           |               |   |
| 4 PLC ± -                              |  | -                |         | CUSTOMER DRAWING                  |   | SHEET 1 OF 1 |           |               |   |
| ANGLES ± -                             |  | -                |         | -                                 |   | REV F1       |           |               |   |
| -                                      |  | -                |         | -                                 |   | -            |           |               |   |